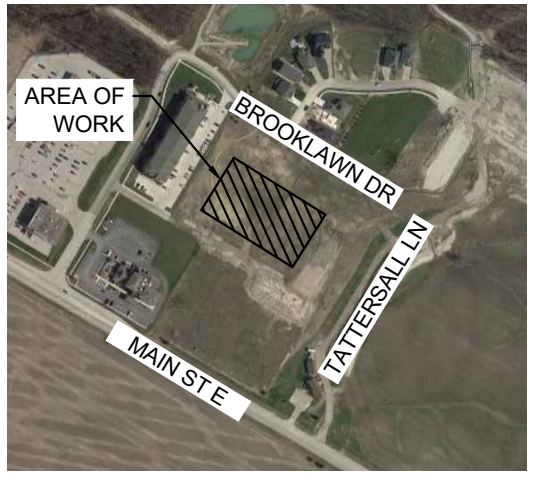


KEYPLAN

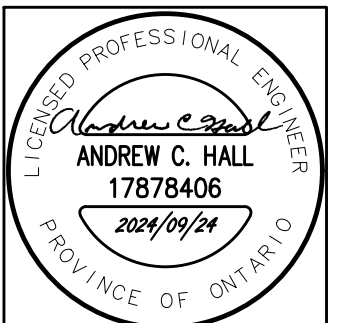
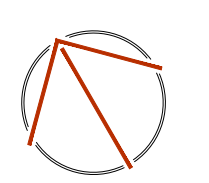


**PRELIMINARY
NOT FOR
CONSTRUCTION**

REVISIONS

NO.	ISSUED FOR	DATE
00	COORDINATION	24.09.19
01	SITE PLAN APPROVAL	24.09.24

NORTH



DESIGN	SW	DRAWN	SW
CHECKED	ACH	REVIEWED	ACH

PROJECT

**TATTERSALL
GRAND BEND APARTMENT**

ADDRESS

**TATTERSALL LANE,
GRAND BEND, ON**

PROJECT NO.

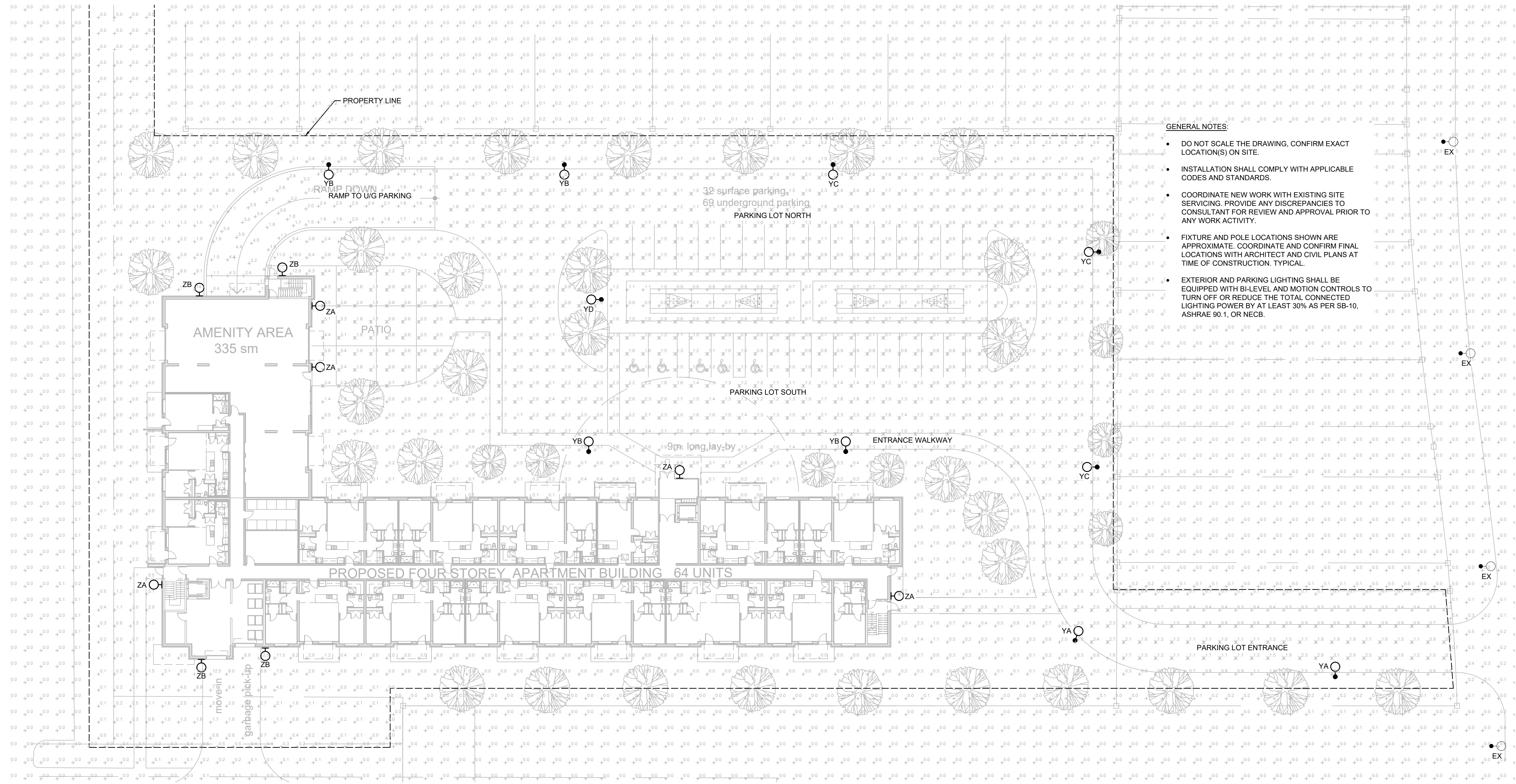
CE-6024

DRAWING TITLE

**SITE LIGHTING LAYOUT
& PHOTOMETRICS**

DRAWING NUMBER

E1 OF 1



- GENERAL NOTES:**
- DO NOT SCALE THE DRAWING, CONFIRM EXACT LOCATION(S) ON SITE.
 - INSTALLATION SHALL COMPLY WITH APPLICABLE CODES AND STANDARDS.
 - COORDINATE NEW WORK WITH EXISTING SITE SERVICING. PROVIDE ANY DISCREPANCIES TO CONSULTANT FOR REVIEW AND APPROVAL PRIOR TO ANY WORK ACTIVITY.
 - FIXTURE AND POLE LOCATIONS SHOWN ARE APPROXIMATE. COORDINATE AND CONFIRM FINAL LOCATIONS WITH ARCHITECT AND CIVIL PLANS AT TIME OF CONSTRUCTION, TYPICAL.
 - EXTERIOR AND PARKING LIGHTING SHALL BE EQUIPPED WITH BLEVEL AND MOTION CONTROLS TO TURN OFF OR REDUCE THE TOTAL CONNECTED LIGHTING POWER BY AT LEAST 30% AS PER SB-10, ASHRAE 90.1, OR NECB.

SITE LIGHTING AND PHOTOMETRIC LAYOUT

SCALE: 1:300

ELECTRICAL LEGEND

SYMBOL	DESCRIPTION
	POLE LIGHT FIXTURE
	WALL MOUNTED FIXTURE
EX	EXISTING TO REMAIN

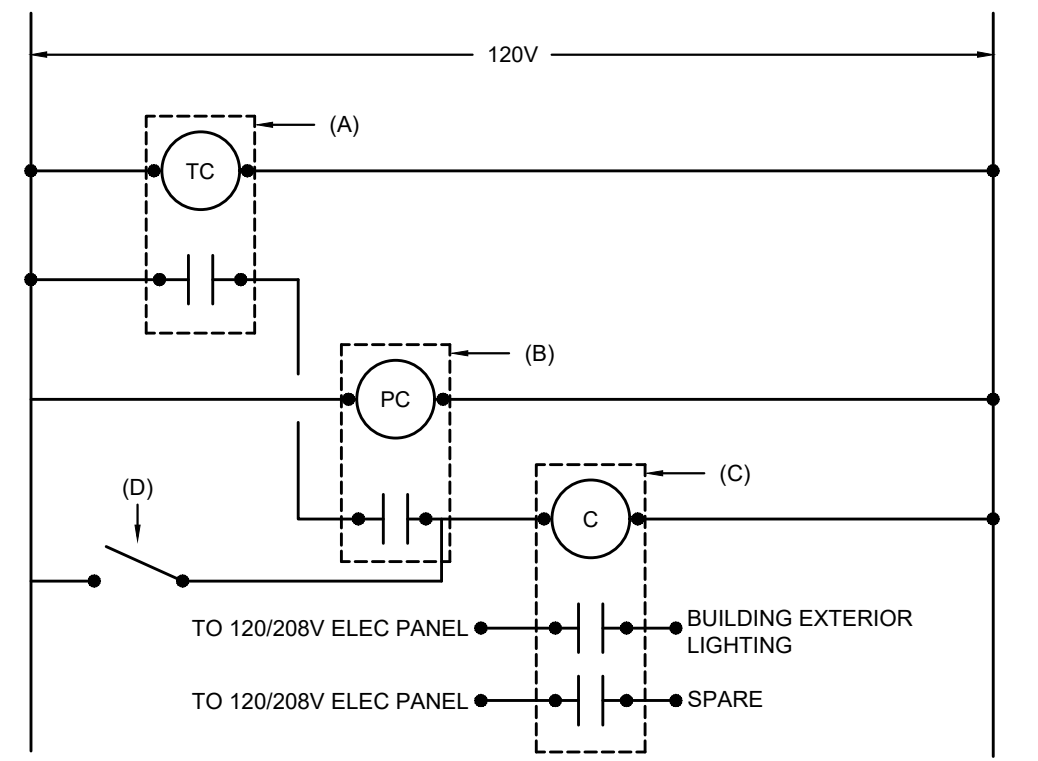
EXTERIOR PHOTOMETRIC DATA - ILLUMINANCE METHOD

	Lavg (lx)	Lmax (lx)	Lmin (lx)	Lmax/Lmin	Lavg/Lmin
PARKING LOT ENTRANCE	1.4	3.5	0.6	5.8	2.3
PARKING LOT NORTH	1.5	4.2	0.6	7.0	2.5
PARKING LOT SOUTH	1.3	3.6	0.6	6.0	2.2
RAMP TO U/G PARKING	2.5	4.4	0.9	4.9	2.8
PATIO	1.7	6.5	0.5	13.0	3.4
ENTRANCE WALKWAY	2.2	6.8	0.7	9.7	3.1

SITE LIGHTING FIXTURE SCHEDULE

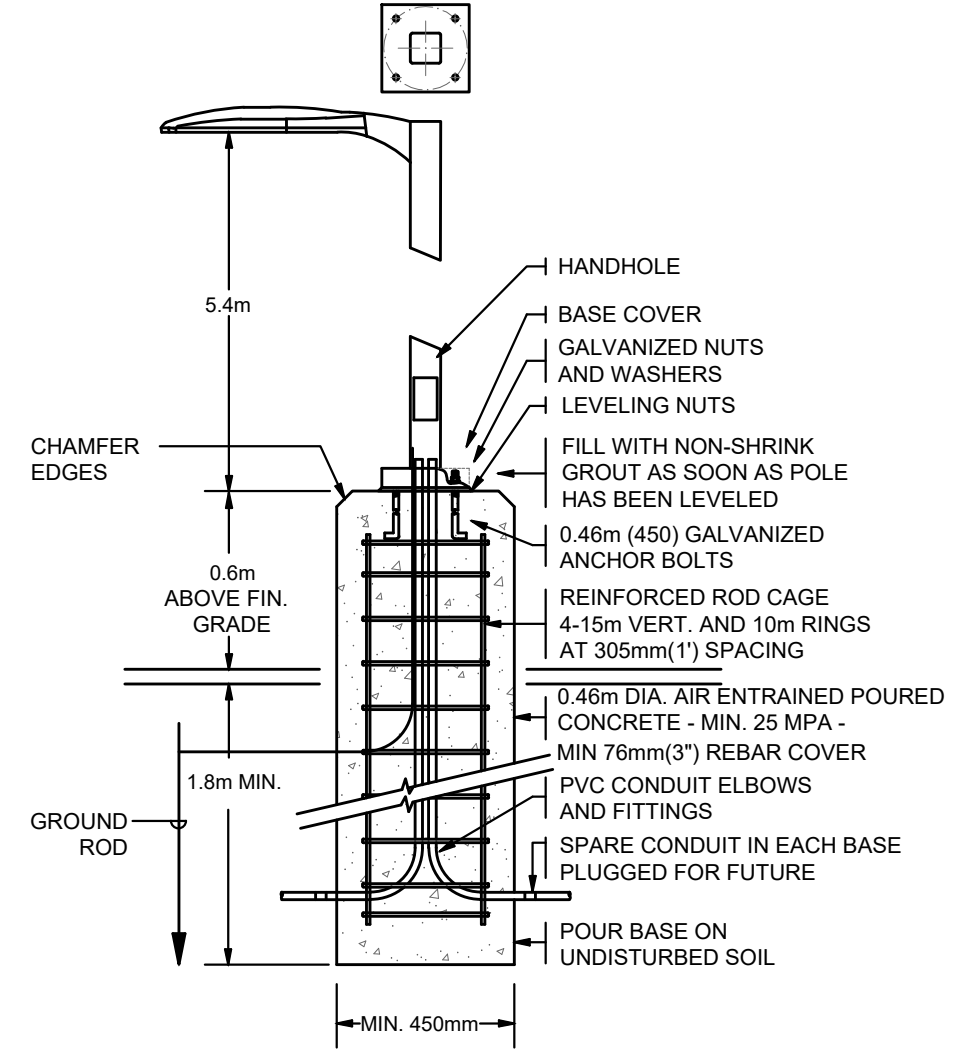
SYMBOL	DESCRIPTION	VOLTAGE	LAMPS	MOUNTING
ZA	OUTDOOR RATED LED WALL SCONCE. FIXTURE TO BE CONTROLLED BY TIME CLOCK AND PHOTOCELL. SIGNIFY STONCO: LPW16 SERIES OR APPROVED EQUAL.	120V 34W	LED 3,638LM 3000K TYPE 4 DISTRIBUTION	WALL MOUNTED @ 3.0M A.F.G.
ZB	OUTDOOR RATED LED WALL SCONCE. FIXTURE TO BE CONTROLLED BY TIME CLOCK AND PHOTOCELL. SIGNIFY STONCO: LPW32 SERIES OR APPROVED EQUAL.	120V 65W	LED 7,387LM 3000K TYPE 4 DISTRIBUTION	WALL MOUNTED @ 3.0M A.F.G.
YA	LED POLE MOUNTED PARKING LOT FIXTURE C/W INTERNAL SHIELD, BUILT-IN PHOTOCELL AND POLE MOUNTED OCCUPANCY SENSOR. MOUNT SENSOR AS RECOMMENDED BY MANUFACTURER. SIGNIFY GARDCO: ECF-S SERIES OR APPROVED EQUAL.	120V 56W	LED 7,159LM 3000K TYPE 2 DISTRIBUTION	POLE MOUNTED @ 6.0M A.F.G.
YB	LED POLE MOUNTED PARKING LOT FIXTURE C/W INTERNAL SHIELD, BUILT-IN PHOTOCELL AND POLE MOUNTED OCCUPANCY SENSOR. MOUNT SENSOR AS RECOMMENDED BY MANUFACTURER. SIGNIFY GARDCO: ECF-S SERIES OR APPROVED EQUAL.	120V 106W	LED 12,719LM 3000K TYPE 3 DISTRIBUTION	POLE MOUNTED @ 6.0M A.F.G.
YC	LED POLE MOUNTED PARKING LOT FIXTURE C/W INTERNAL SHIELD, BUILT-IN PHOTOCELL AND POLE MOUNTED OCCUPANCY SENSOR. MOUNT SENSOR AS RECOMMENDED BY MANUFACTURER. SIGNIFY GARDCO: ECF-S SERIES OR APPROVED EQUAL.	120V 73W	LED 9,452LM 3000K TYPE 4 DISTRIBUTION	POLE MOUNTED @ 6.0M A.F.G.
YD	LED POLE MOUNTED PARKING LOT FIXTURE C/W BUILT-IN PHOTOCELL AND POLE MOUNTED OCCUPANCY SENSOR. MOUNT SENSOR AS RECOMMENDED BY MANUFACTURER. SIGNIFY GARDCO: ECF-S SERIES OR APPROVED EQUAL.	120V 56W	LED 7,284LM 3000K TYPE 5W DISTRIBUTION	POLE MOUNTED @ 6.0M A.F.G.

- NOTES:**
- PROVIDE ALL NECESSARY MOUNTING HARDWARE FOR A COMPLETE INSTALLATION.
 - COORDINATE WITH ARCHITECTURAL CEILING PLAN TO CONFIRM CEILING MATERIAL AND MOUNTING TYPE.



- A. 7 DAY, 24 HOUR ASTRONOMIC PROGRAMMABLE TIMECLOCK, SPST, 120V COIL, 10A RATED CONTACTS
- B. PHOTO CELL, 120V, 2000W RATED MOUNTED ON EXTERIOR OF BUILDING.
- C. LIGHTING CONTACTOR, 120V COIL, 20A 120V RATED CONTACTS IN TYPE 1 ENCLOSURE.
- D. 20A, 120V SPST SWITCH

SITE LIGHTING CONTROL DETAIL
SCALE: NTS



NOTES: COORDINATE EXACT ANCHORING REQUIREMENTS AND CONCRETE BASE DIAMETER WITH POLE MANUFACTURER

AREA LIGHT FIXTURE POLE BASE DETAIL
SCALE: NTS